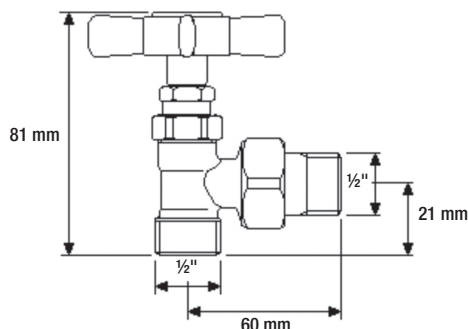


12 Classic Column Radiators



Manual Angle Cross Head Valves



Copper and Pex Connectors not shown



The column radiator is available in three different heights with either three or four bars and comes in a variety of lengths. Please note the last set of numbers in the part# denotes the number of sections NOT the finished length in inches. Each Classic Column comes with wall brackets and hardware pack. Floor brackets are available for greater stability on the longer radiators. See product # V-CLFS on page 29. Columns require a 1/2" BSP connection, valves sold separately. Warranty on Column Radiators is 5 years.



See page 32 to calculate the heat output from existing cast iron column and tubular radiators.

Classic Column Radiator Sizes and Technical Data

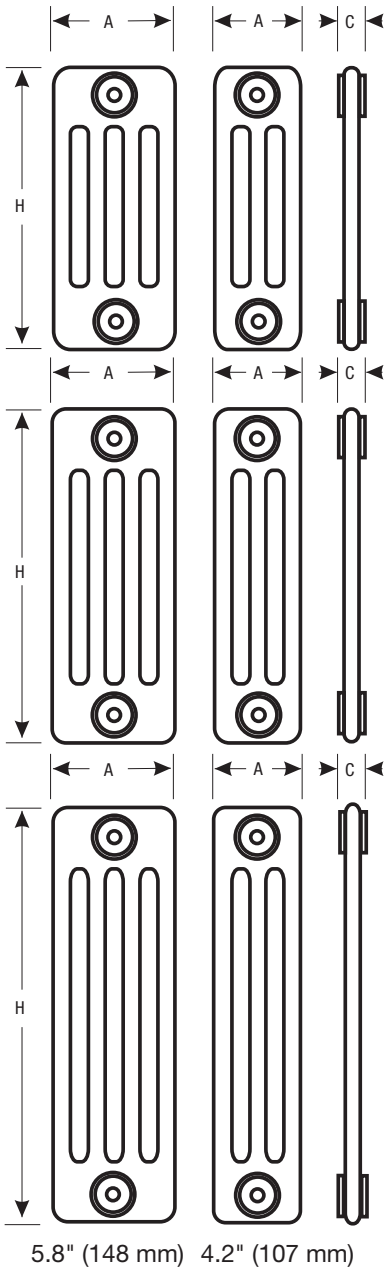
PART # *H x B x S	HEIGHT (mm)	HEIGHT (inches)	LENGTH (mm)	LENGTH (inches)	OUTPUT btu/hr 140 °F AWT	OUTPUT btu/hr 160 °F AWT	OUTPUT btu/hr 180 °F AWT	WEIGHT (Lbs)	STOCK STATUS
C12 3 09	300	11.8	405	15.94	688	954	1238	15	stock
C12 3 13	300	11.8	585	23.03	994	1378	1789	22	stock
C12 3 18	300	11.8	810	31.88	1376	1909	2478	30	stock
C12 3 22	300	11.8	990	38.97	1682	2333	3028	37	stock
C12 3 27	300	11.8	1215	47.83	2064	2863	3716	46	stock
C12 3 31	300	11.8	1395	54.92	2370	3287	4267	53	stock
C20 3 09	500	19.7	405	15.94	1132	1570	2038	24	stock
C20 3 13	500	19.7	585	23.03	1635	2268	2944	34	stock
C20 3 18	500	19.7	810	31.88	2264	3140	4076	48	stock
C20 3 22	500	19.7	990	38.97	2767	3838	4982	58	stock
C20 3 27	500	19.7	1215	47.83	3396	4710	6114	71	stock
C20 3 31	500	19.7	1395	54.92	3899	5408	7020	82	stock
C20 3 36	500	19.7	1620	63.77	4528	6280	8152	96	stock
C20 3 40	500	19.7	1800	70.86	5031	6978	9057	106	stock
C30 3 09	750	29.5	405	15.94	1665	2313	2997	34	stock
C30 3 13	750	29.5	585	23.03	2405	3341	4329	49	stock
C30 3 18	750	29.5	810	31.88	3330	4618	5994	68	stock
C30 3 22	750	29.5	990	38.97	4069	5644	7326	83	stock
C30 3 27	750	29.5	1215	47.83	4994	6926	8990	102	stock
C30 3 31	750	29.5	1395	54.92	5735	7967	10323	118	stock
C30 3 36	750	29.5	1620	63.77	6660	9236	11988	134	stock
C30 3 40	750	29.5	1800	70.86	7399	10262	13320	151	stock

PART # *H x B x S	HEIGHT (mm)	HEIGHT (inches)	LENGTH (mm)	LENGTH (inches)	OUTPUT btu/hr 140 °F AWT	OUTPUT btu/hr 160 °F AWT	OUTPUT btu/hr 180 °F AWT	WEIGHT (Lbs)	STOCK STATUS
C12 4 09	300	11.8	405	15.94	888	1231	1598	22	stock
C12 4 13	300	11.8	585	23.03	1282	1778	2308	31	stock
C12 4 18	300	11.8	810	31.88	1775	2462	3196	43	stock
C12 4 22	300	11.8	990	38.97	2170	3010	3907	53	stock
C12 4 27	300	11.8	1215	47.83	2663	3694	4795	65	stock
C12 4 31	300	11.8	1395	54.92	3058	4242	5506	74	stock
C20 4 09	500	19.7	405	15.94	1443	2001	2597	33	stock
C20 4 13	500	19.7	585	23.03	2084	2890	3751	47	stock
C20 4 18	500	19.7	810	31.88	2885	4002	5195	65	stock
C20 4 22	500	19.7	990	38.97	3526	4891	6349	80	stock
C20 4 27	500	19.7	1215	47.83	4328	6003	7792	98	stock
C20 4 31	500	19.7	1395	54.92	4970	6893	8947	113	stock
C20 4 36	500	19.7	1620	63.77	5772	8004	10388	132	stock
C20 4 40	500	19.7	1800	70.86	6413	8894	11544	145	stock
C30 4 09	750	29.5	405	15.94	2106	2925	3798	45	stock
C30 4 13	750	29.5	585	23.03	3042	4225	5486	65	stock
C30 4 18	750	29.5	810	31.88	4216	5848	7591	91	stock
C30 4 22	750	29.5	990	38.97	5154	7149	9279	112	stock
C30 4 27	750	29.5	1215	47.83	6326	8774	11389	137	stock
C30 4 31	750	29.5	1395	54.92	7254	10075	13082	158	stock
C30 4 36	750	29.5	1620	63.77	8432	11696	15182	182	stock
C30 4 40	750	29.5	1800	70.86	9372	12998	16871	203	stock

*H x B x S:
H = Height in approximate inches
B = Number of Bars
S = Number of Sections

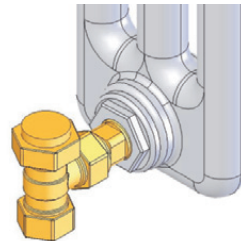
Please allow seven to ten days for delivery. All Column Radiator orders are subject to a 25% restocking fee.

14 Classic Column Radiator Rough-In Dimensions



	HEIGHT (mm) H	DEPTH (mm) A	WIDTH (mm) C	WEIGHT (PER SECTION) KG'S	WATER CONTENT (PER SECTION) LITRES
3 COLUMN	300	107	45	0.77	0.67
4 COLUMN	300	148	45	1.09	0.9

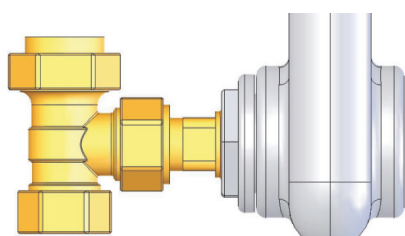
	HEIGHT (mm) H	DEPTH (mm) A	WIDTH (mm) C	WEIGHT (PER SECTION) KG'S	WATER CONTENT (PER SECTION) LITRES
3 COLUMN	500	107	45	1.2	0.91
4 COLUMN	500	148	45	1.65	1.22



	HEIGHT (mm) H	DEPTH (mm) A	WIDTH (mm) C	WEIGHT (PER SECTION) KG'S	WATER CONTENT (PER SECTION) LITRES
3 COLUMN	750	107	45	1.72	1.21
4 COLUMN	750	148	45	2.31	1.62

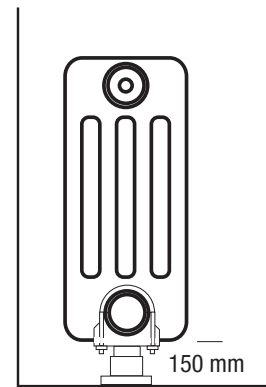
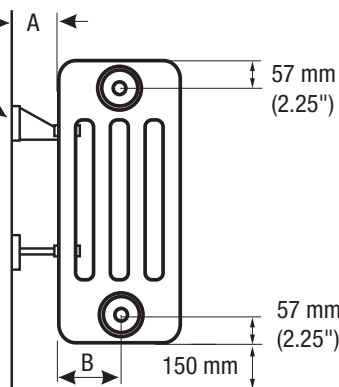
Typical Wall Bracket Installation

Optional Floor Standing Brackets



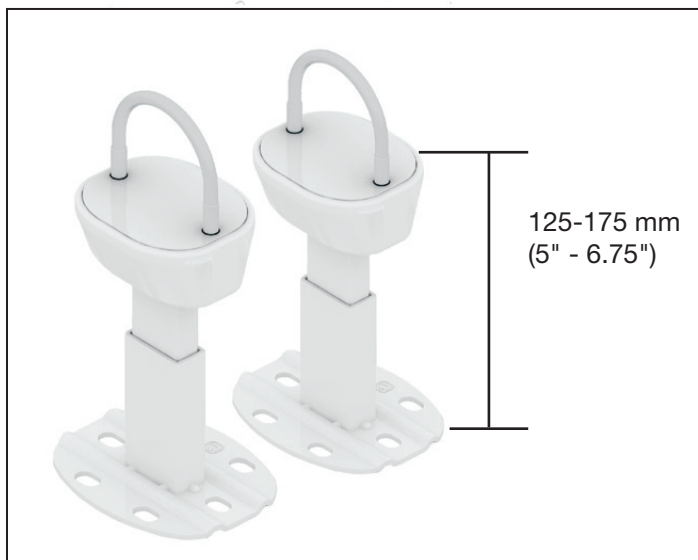
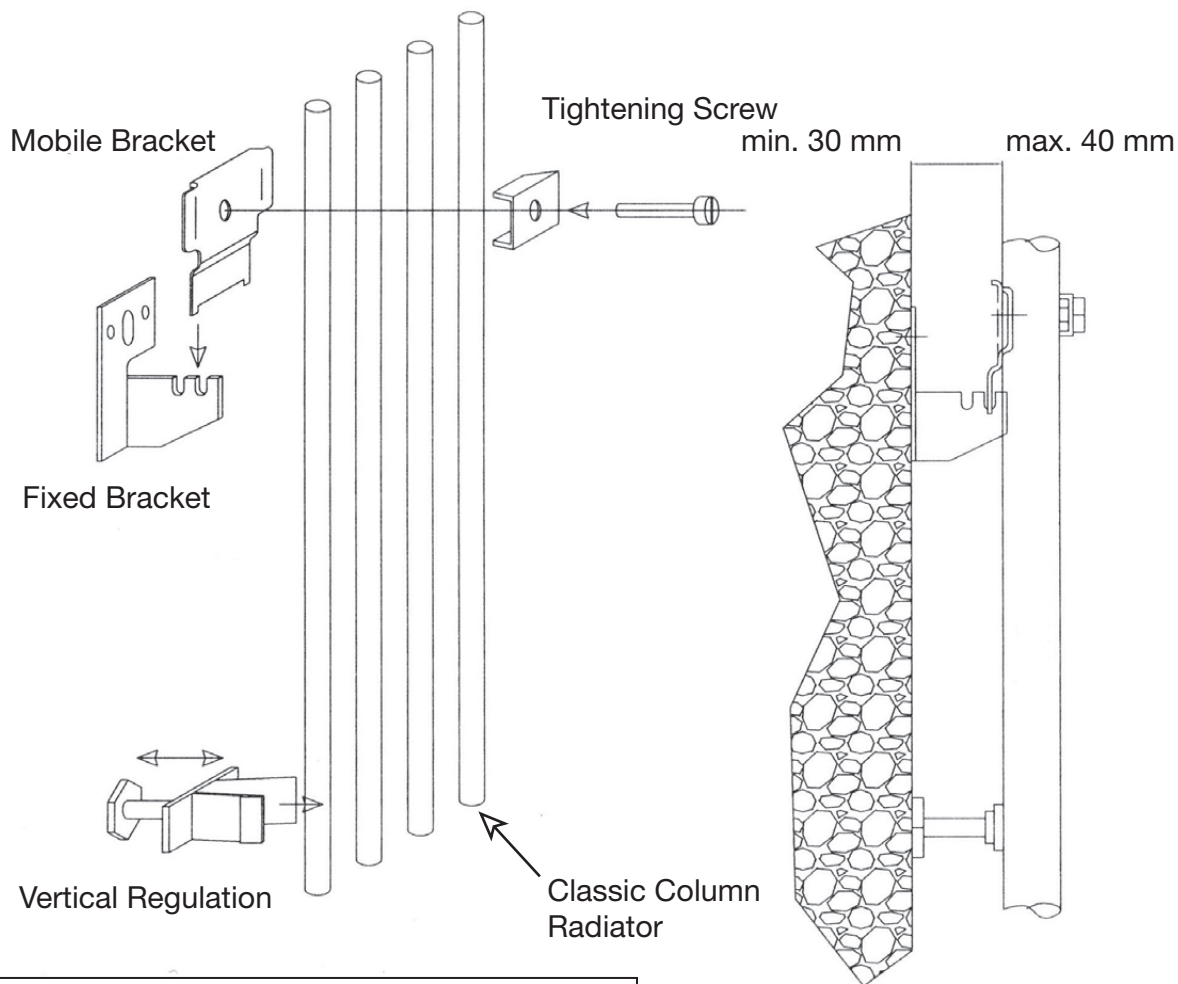
60 mm
O/C Using Herz
Mini Valves

Adjustable wall bracket → A ←
A = 30 or 40 mm
B = 3 COL - 53 mm
4 COL - 74 mm



Floor Stand
Model # V-CLFS (sold in pairs)

Classic Column Wall Bracket Installation



Wall Brackets Required

NUMBER OF SECTIONS	NUMBER OF BRACKETS
Up to 17	2
18 - 31	3
32 - 40	4

Also available Column Radiator Floor Brackets see item 52 on page 29