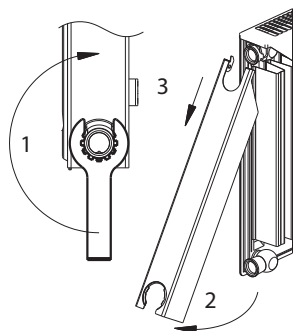


How to remove Stelrad radiator grilles and panels for cleaning

 **Stelrad**
Europe's favourite radiator

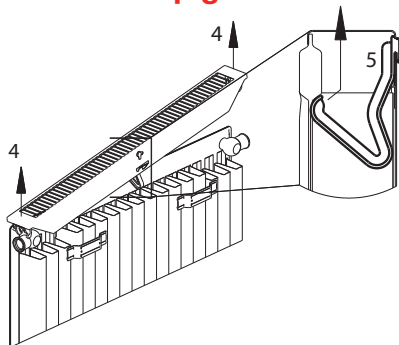
Step 1

Remove side panel



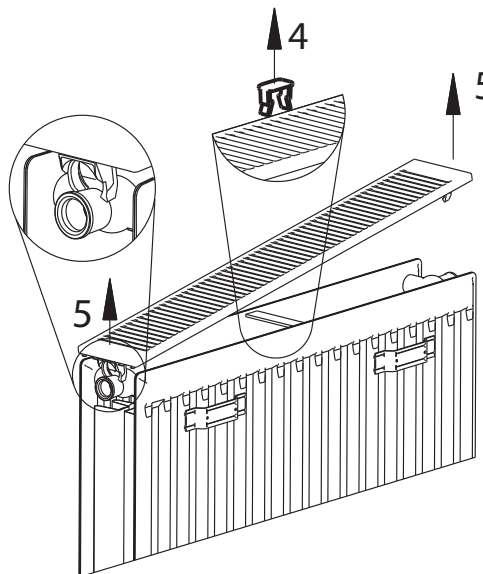
Step 2

Remove top grille



Step 3

Remove radiator clip



Please note: Clips may vary dependent on size and smaller sizes do not have a clip in the middle.

The above steps can be used as a guide and Stelrad Radiators will not be responsible if any damage or breakages occur whilst following these steps.

T: 0870 849 8056

E: info@stelrad.com

W: www.stelrad.com



@stelrad



facebook.com/stelradlimited

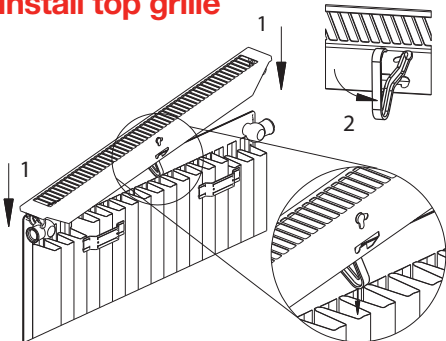
The Stelrad you know *and so much more*

How to replace Stelrad radiator grilles and panels after cleaning

 **Stelrad**
Europe's favourite radiator

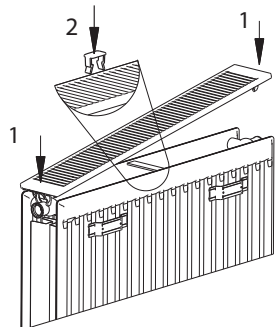
Step 1

Install top grille



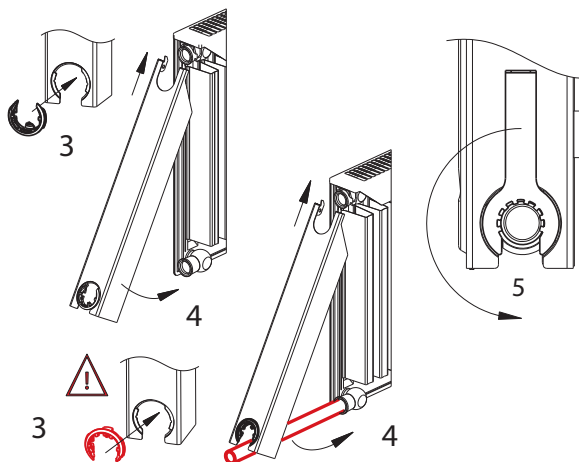
Step 2

Install radiator clip



Step 3

Install side panel



Please note: Clips may vary dependent on size and smaller sizes do not have a clip in the middle.

The above steps can be used as a guide and Stelrad Radiators will not be responsible if any damage or breakages occur whilst following these steps.

T: 0870 849 8056

E: info@stelrad.com

W: www.stelrad.com



@stelrad



[facebook.com/stelradlimited](https://www.facebook.com/stelradlimited)

The Stelrad you know *and so much more*